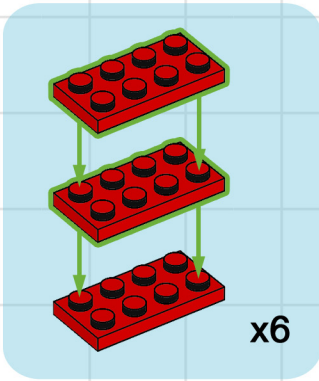




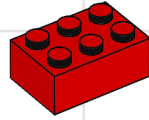
BUILD

Build a RED FISH!

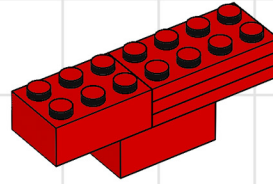
Build this red fish out of the play brick located on these tables or out of the play brick you have at home.



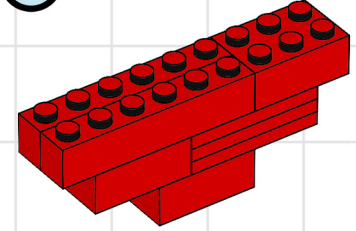
1



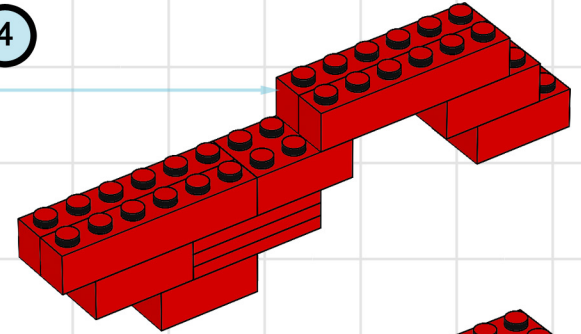
2



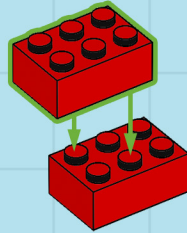
3



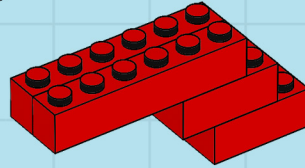
4



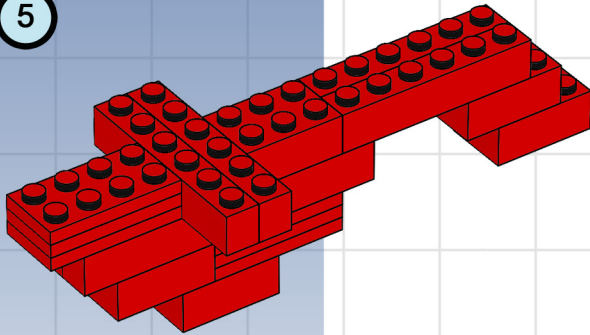
a



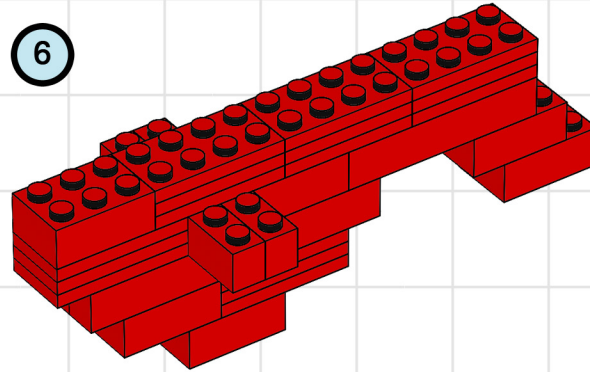
b



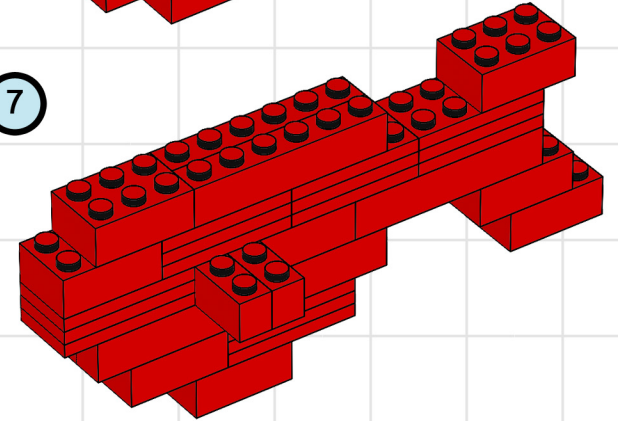
5



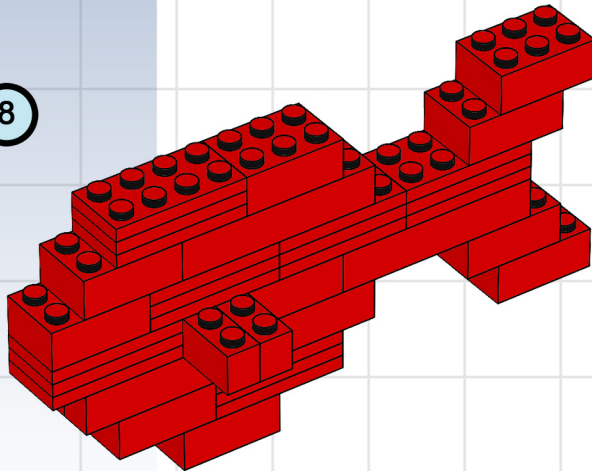
6



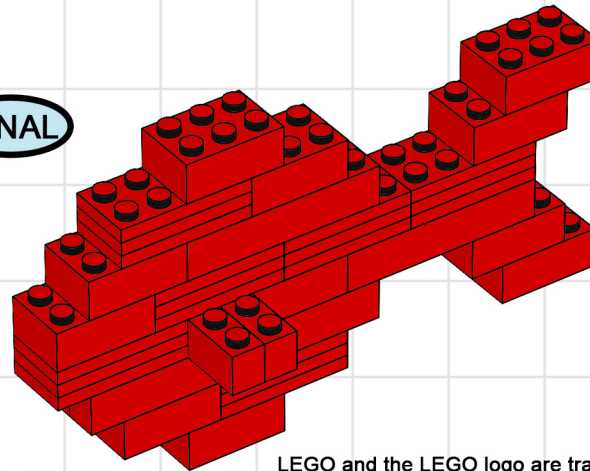
7



8



FINAL

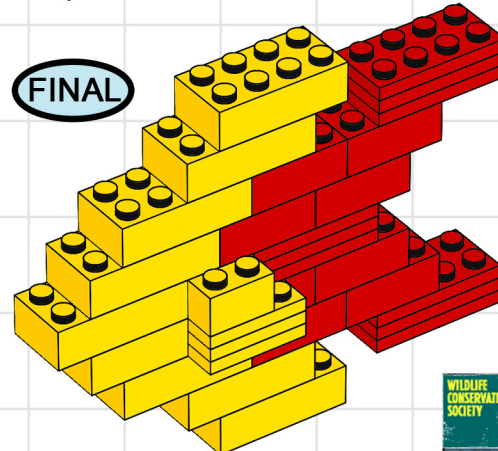
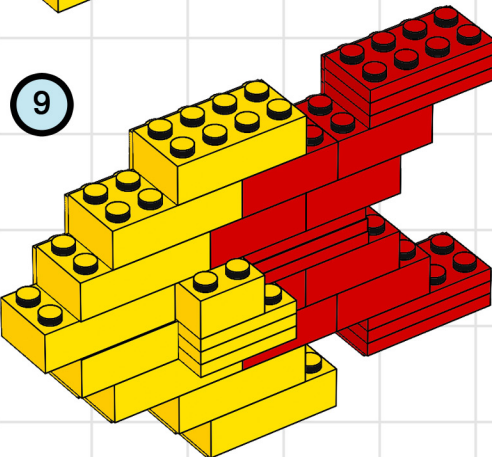
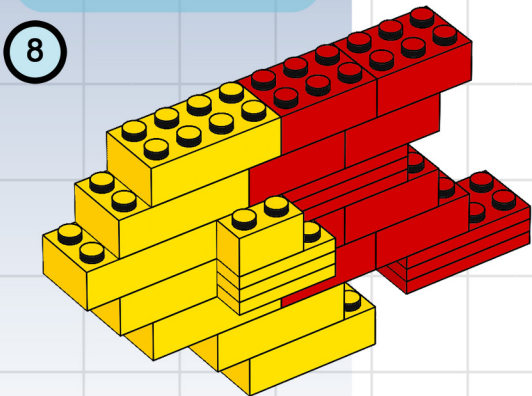
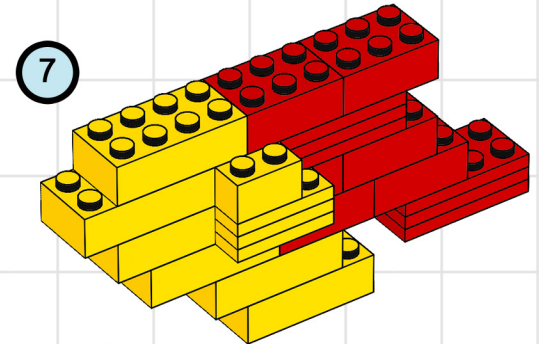
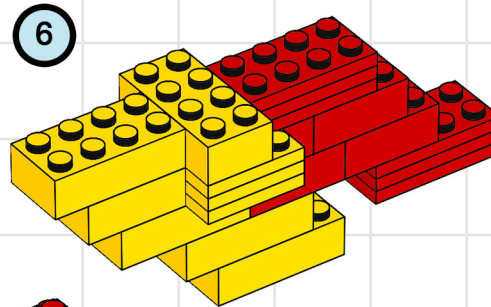
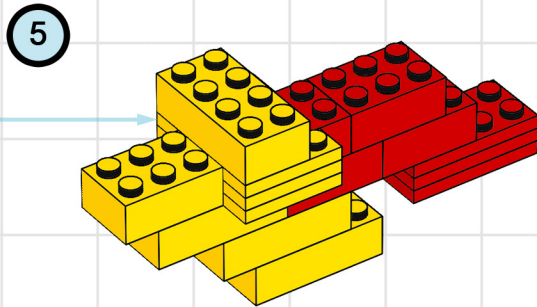
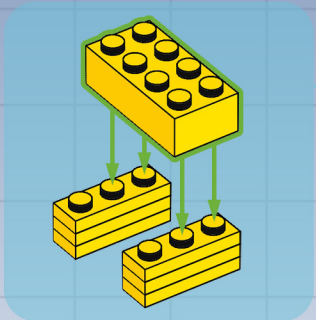
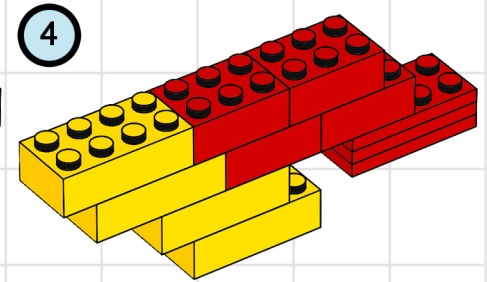
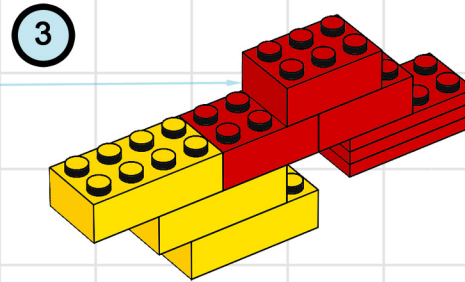
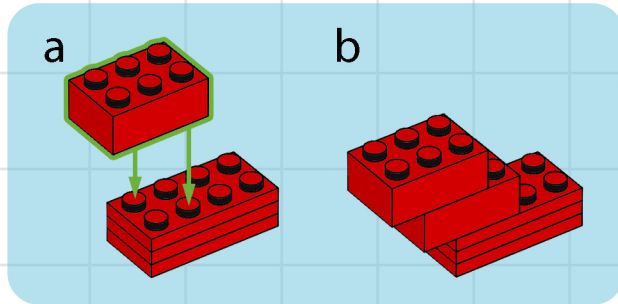
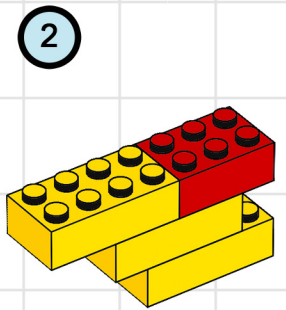
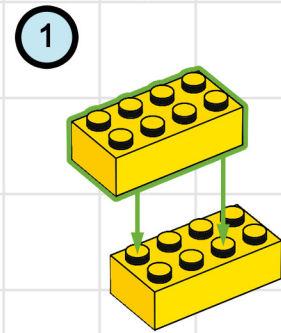
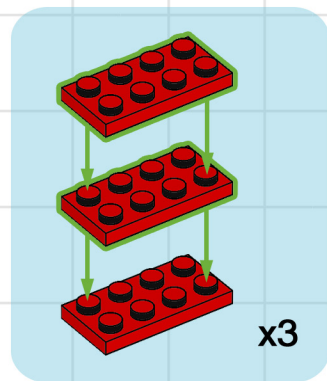
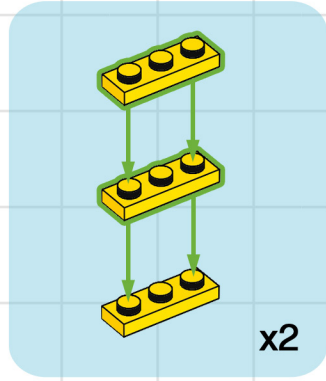




BUILD

Build a RED YELLOW FISH!

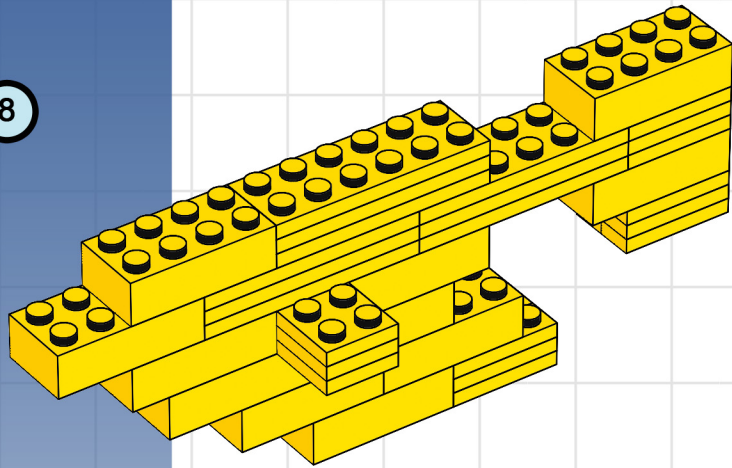
Build this red fish out of the play brick located on these tables or out of the play brick you have at home.



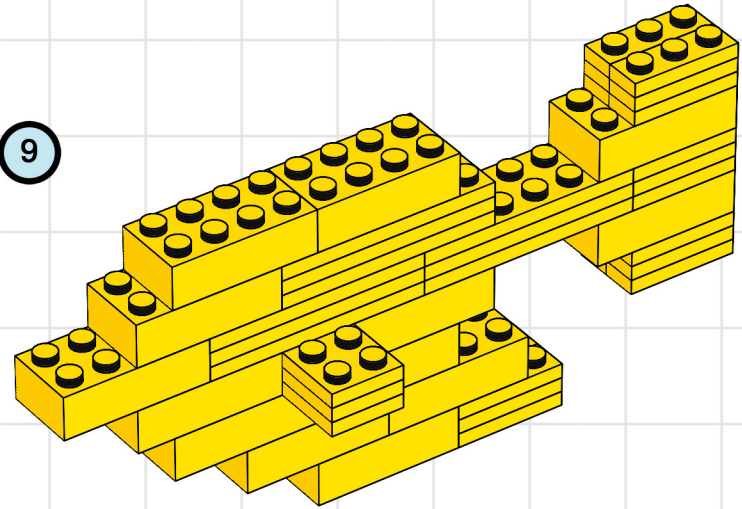


BUILD

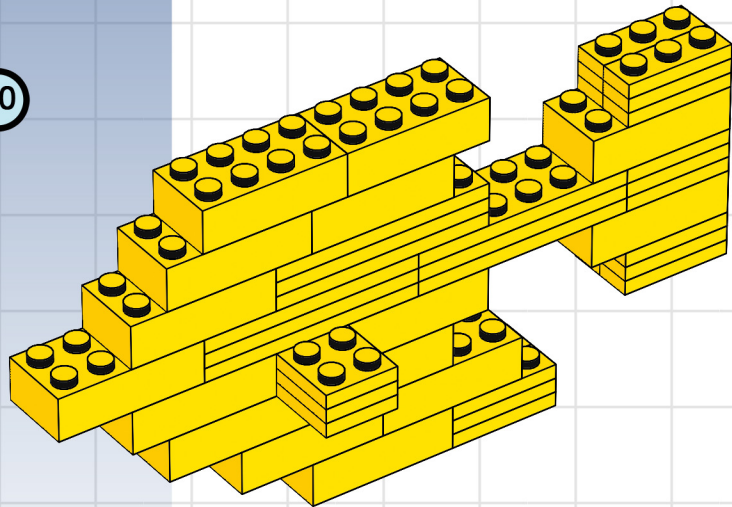
8



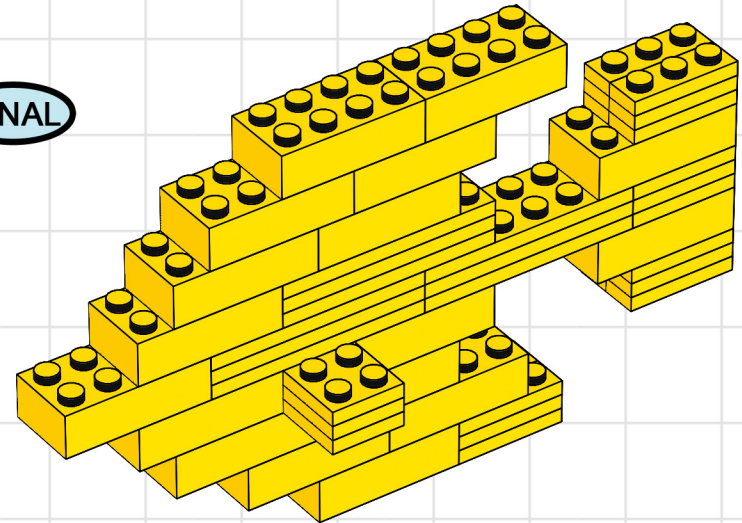
9



10



FINAL





BUILD

Build a YELLOW FISH!

Build this red fish out of the play brick located on these tables or out of the play brick you have at home.

